

PRODUCT DATA SHEET

22mm DIAMETER LED SIGNAL



DESCRIPTION

The range uses screw terminals with wire guards for ease of installation and the ability to daisy chain lights into a string. It offers light diffusion in various colors for easy application in different environments.

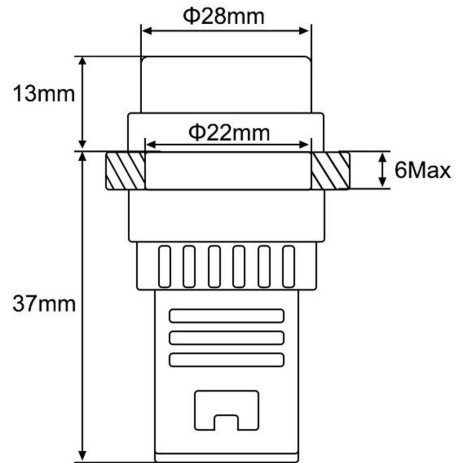
FEATURES

- Shockproof, low power consumption, long life and cool operation.
- Utilizes an ultra-bright LED that is not sensitive to external light.
- Diffused light provides high visibility and more.

PRODUCT DATA SHEET

22mm DIAMETER LED SIGNAL

SECTIONS AND DIMENSIONS



PRODUCT CODE	DİAMETER (mm)	DESCRIPTION	COLOUR
22 - 24V - S	22	Led Signal 24V AC-DC	Yellow